

Aerospace Valves | Product Detail

High Pressure Hydraulic Fluid Flow Control Valve

Description

The values listed below reflect the customer requirements for a specific application of multiple versions with varying performance requirements exist. The featured product is a typical three-way, two-position, poppet style, spring off-set, direct acting, solenoid operated face mount valve. This valve is designed to control the flow of hydraulic fluid.

Hydraulic Characteristics

Media:	MIL-H-5606	
Pressure:	Pressure to Service	Return
Normal Operating:	280 Bar	8-35 Bar
Maximum Operating:	385 Bar	48 Bar
Proof:	420 Bar	280 Bar
Burst:	700 Bar	420 Bar

Flow

P to S: 0.75 l/min at 80 Bar differential pressure
S to R: 0.75 l/min at 80 Bar differential pressure

Leakage

Internal- (energized) 5 cc/min max at 100-280 Bar
(de-energized) 5 cc/min max at 100-280 Bar
External- Zero

Relief Pressure

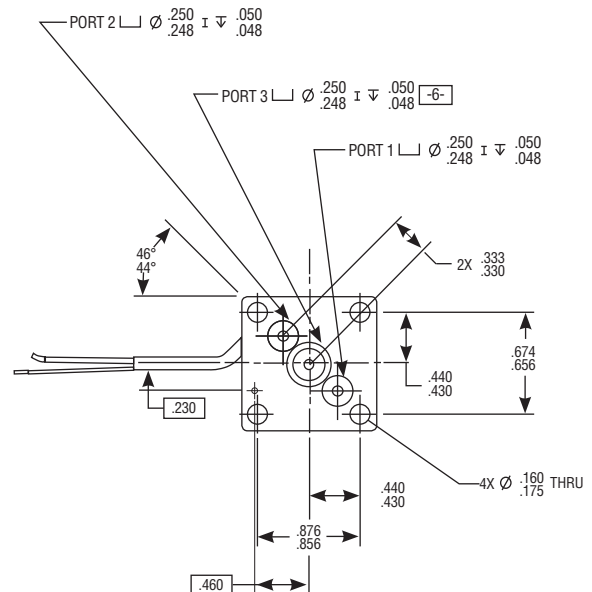
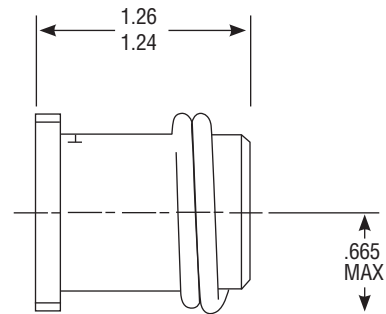
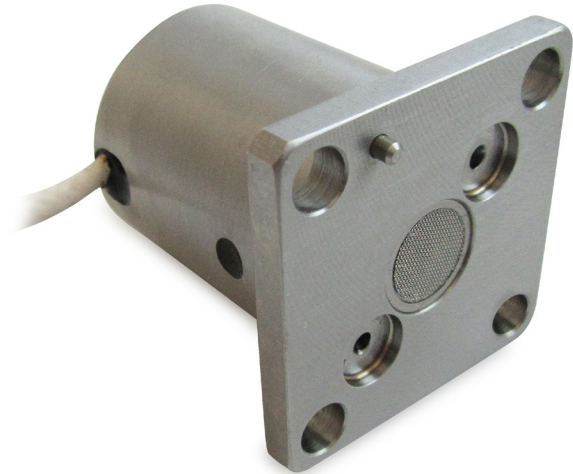
Greater than or equal to 400 Bar differential pressure de-energized

Electrical Characteristics

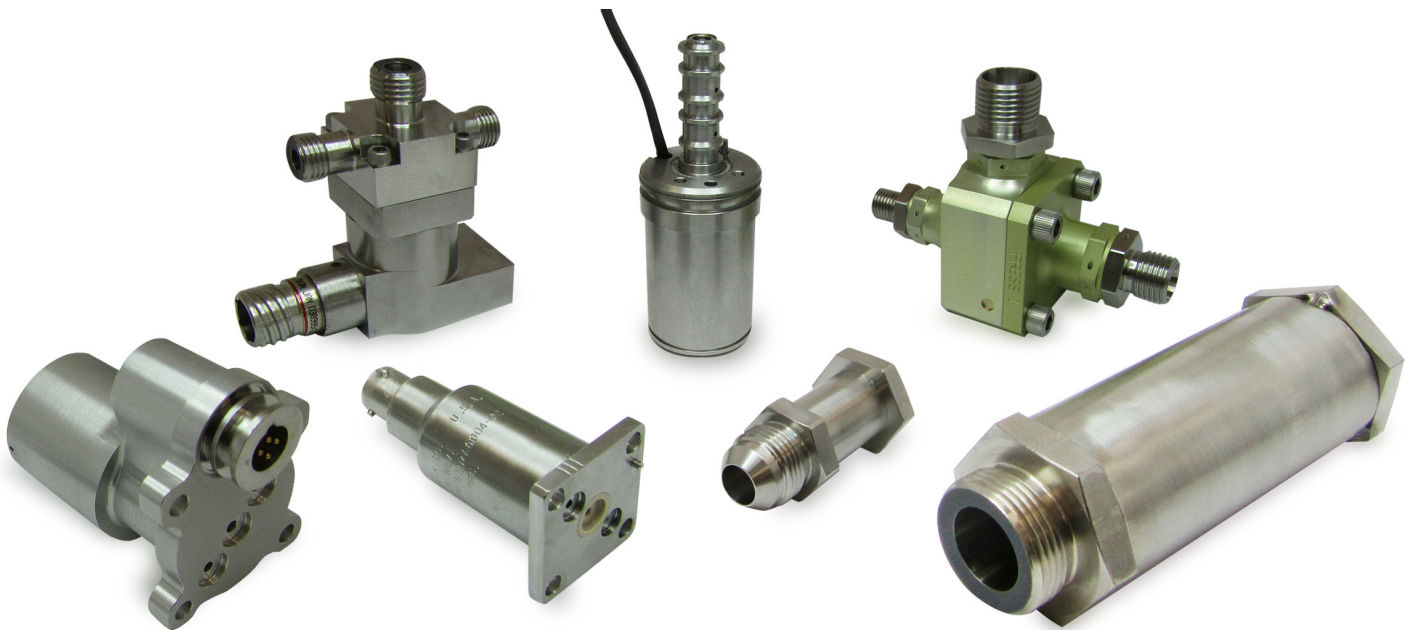
Voltage: 16.0-35.0 VDC
Coil Resistance: 80 Ohms nominal at + 25°C
Response: (opening and closing) 20 msec max
at 280 Bar differential pressure
Duty Cycle: Continuous

Other

Temperature: Ambient= -31°C to 96°C, Media= -31°C to 135°C
Durability: 102,000 min cycles
Mass: 13 Kg max
Materials: Various grades of stainless steel with an epoxy encapsulated coil



GO TO WWW.GWLISK.COM TO LEARN MORE ABOUT OUR CUSTOM SOLENOIDS, SOLENOID VALVES, SENSORS (LVDT) AND FLAME ARRESTOR PRODUCTS.



Our family of aerospace valves includes: Solenoid Operated, Check / Relief, Shuttle, Regulating and Anti-Ice as well as Manifold Systems. We specialize in customized valves for Emergency Systems, Fuel / Engine Systems, Satellite / Rocket Launch, Thrust Vector Actuation Systems, Braking Controls, Auxiliary Power Units, Thrust Reverse Actuators, Steering / Landing Controls and Flight / Cockpit Controls , and many more. We utilize advanced 3D design, FEA (stress, CFD, magnetic, etc.), in-house testing including qualification and validation to provide world class products. LISK has been helping our customers reach new heights through collaborative engineering since 1910.



About G.W. Lisk Company

LISK is a global leader in the design and manufacture of custom solenoids, solenoid valves, LVDTs, and flame arrestors, providing custom-engineered solutions to customers in diverse markets including military, aerospace, automotive, commercial, and medical. We provide custom-engineered products and solutions to help customers meet demanding operational and strict environmental requirements in the following areas:

- Application Solutions
- Hardware Engineering
- Mechanical Design & Development
- Rapid Prototyping
- Qualification Testing
- Industry Certifications
- Vertical Integration (Manufacturing)
- Serial Production

